

# Solid State Relay

## DRA-8K-KSD Channel AC Output Module

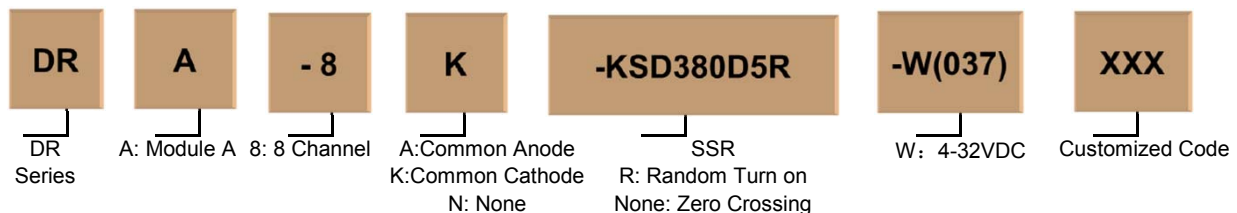


- Load Current: 0.1A to 5A
- Din Rail Mounted
- Control Voltage: 4-32VDC
- Integrated Fast Fuse Protection
- Detect Fault of Fuse, SSR, Load
- High EMC Capability
- High Inrush Current
- RoHS Compliant

### Product Description

DRA-8K-KSD is 8 channel din-rail mounted module with a SSR of max. load current at 5A . Control voltage is 4-32VDC and isolation voltage is 4000VACrms with high EMC capability, high inrush current, special for automatic machinery, control system, elevator, entertainment equipment.

### Product Selection



Description	3A	5A
AC Output	DRA-8K-KSD240D3(R)-W(037)	DRA-8K-KSD240D5(R)-W(037)
	DRA-8K-KSD380D3(R)-W(037)	DRA-8K-KSD380D5(R)-W(037)
	DRA-8K-KSD480D3(R)-W(037)	DRA-8K-KSD480D5(R)-W(037)

### Technical Specification

#### Input Circuit

Control Voltage Range	4-32VDC
Minimum Turn-On Voltage	4VDC
Minimum Turn-Off Voltage	1VDC
Maximum Input Current	25mA

#### Output Circuit

Load Voltage Range	240VAC	24-280VAC
	380VAC	48-440VAC
	480VAC	48-530VAC
Transient Overvoltage	240VAC	600Vpk
	380VAC	800Vpk
	480VAC	1200Vpk
Load Current Range	3 A	0.1 - 3A
	5 A	0.1 - 5A
Fuse Current	3 A	3A
	5 A	5A
Maximum Turn-On Time	Random-on	1ms
	Zero Crossing	1/2AC Cycle + 1ms
Maximum Turn-Off Time		1/2AC Cycle + 1ms

Maximum Surge Current (@10 ms)	3A	30A
	5A	60A
Maximum Off-State Leakage Current [ @ Rated Voltage]		5mA
Maximum On-State Voltage Drop [ @ Rated Current]		1.5Vrms
Minimum Off-State dv/dt [ @ Maximum Rated Voltage]		200V/μs

### General Information

SSR Integrated Number		8
Dielectric Strength Input/Output/Base		≥4000Vrms
Ambient Operating Temperature Range		-30°C ~ +80 °C
Ambient Storage Temperature Range		-30°C ~ +100 °C
Weight (Typical)		330g

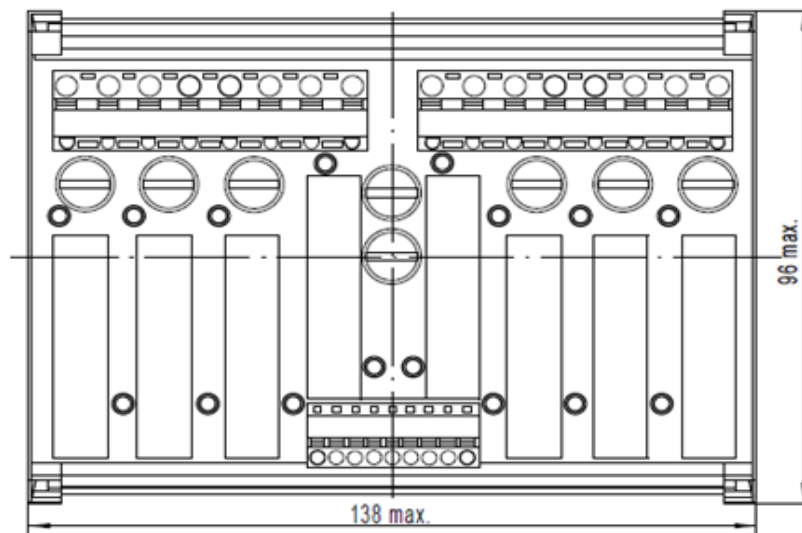
### LED Information

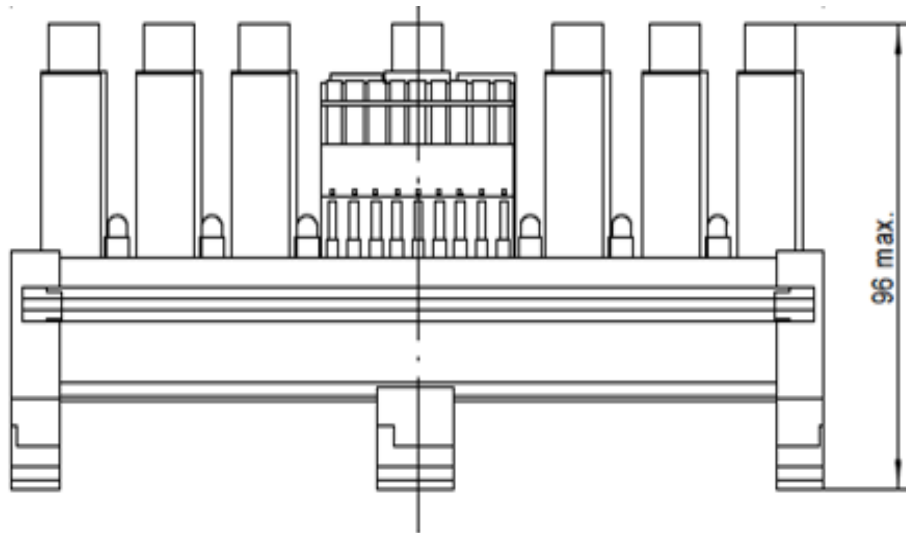
Status	Control signal	Control LED	Load LED	Description
1	ON	ON	OFF	Normal State.
2	OFF	OFF	ON	
3	OFF	OFF	OFF	Detect Fault: load broken, fuse broken, SSR damaged.
4	ON	ON	OFF	

### Application

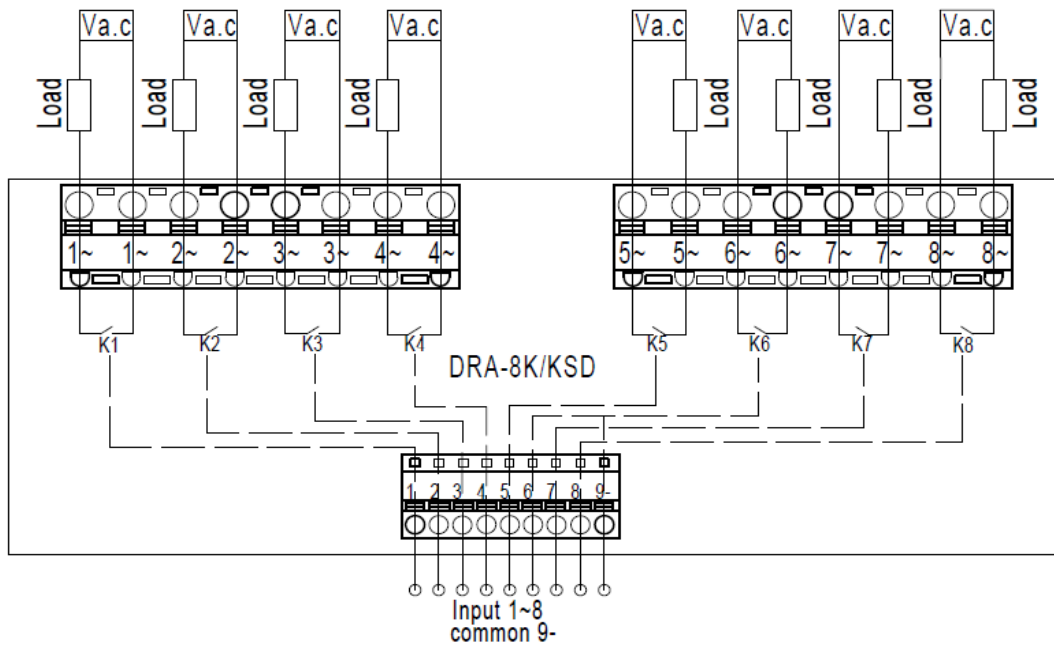
Automatic Equipment, Control System, Entertainment Equipment.

### Installation

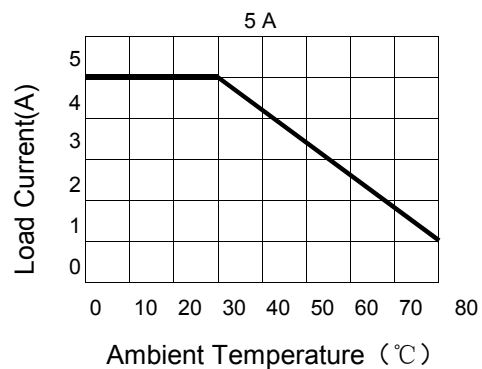
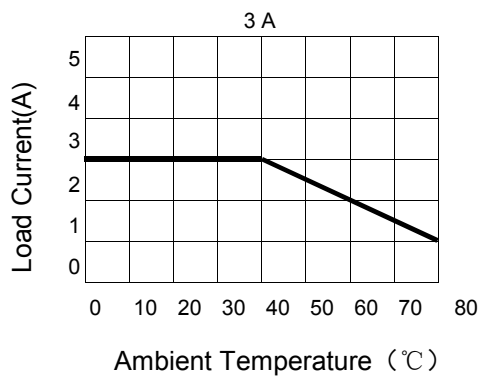




### Wiring Diagram



### Thermal Curve



---

**Important Notice**

Considering heat dissipation, switching capability will be decreased when ambient temperature is more than 40°C degree.

---

**Product Certification**

**@Kudom Electronics Technology, All Right Reserved**