

# Solid State Relay

## KSF Series Single Phase DC Output

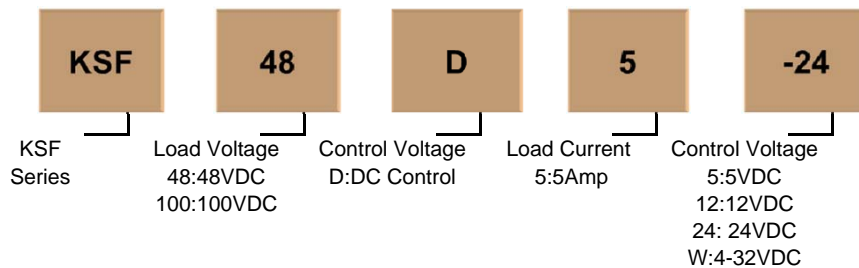


- Opto-isolation
- Load current: 0.1A-5A @ 48VDC,100VDC
- Control voltage 4-6VDC,9-15VDC, 19-32VDC,4-32VDC
- Dielectric strength 2500VACrms
- PCB mounted
- RoHS compliant

### Product Description

The KSF series is printed board mounted DC output solid state relay. Compact size, high inrush current, suitable for control and isolation between control signal and high current. Widely used in industry automation and different kinds of DC motor, DC power supply, electromechanical device etc. Control is DC voltage with 5VDC, 12VDC, 24VDC. Load voltage is 48VDC and 100VDC.

### Product Selection



Control Voltage	5A	
4-6VDC	KSF48D5-5	KSF100D5-5
9-15VDC	KSF48D5-12	KSF100D5-12
19-32VDC	KSF48D5-24	KSF100D5-24
4-32VDC	KSF48D5-W	KSF100D5-W

### Technical Specification

#### Input Circuit

Control Voltage Range	5	4-6VDC
	12	9-15VDC
	24	19-32VDC
	W	4-32VDC
Minimum Turn-On Voltage	5	4VDC
	12	9VDC
	24	19VDC
	W	4VDC
Minimum Turn-Off Voltage		1.0VDC
Maximum Input Current		15mA

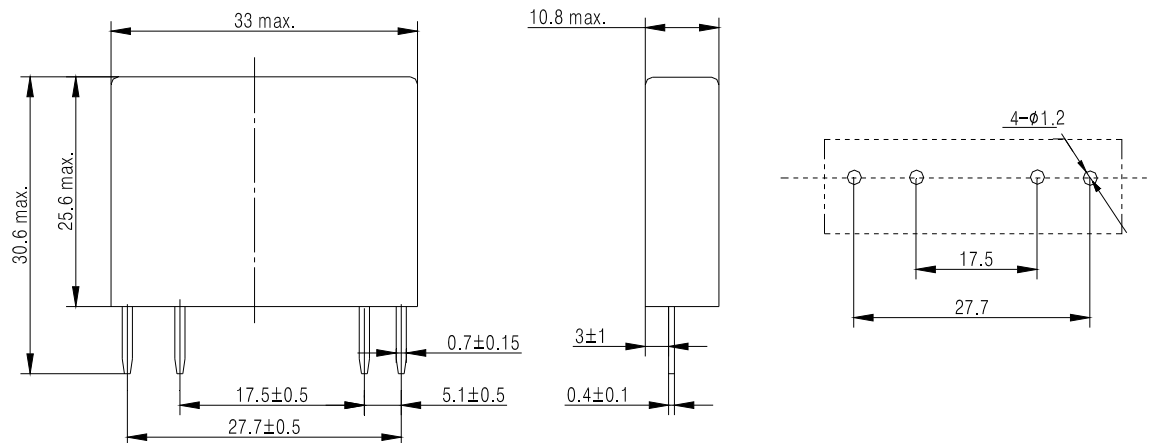
Output Circuit		
Load Voltage Range	48	0-60VDC
	100	0-100VDC
Transient Overvoltage	48	66Vpk
	100	110Vpk
Maximum Surge Current (@ 10 ms)		20A
Maximum Turn-On Time		0.5ms
Maximum Turn-Off Time		1ms
Load Current Range		0.1-5A
Maximum Off-State Leakage Current [@ Rated Voltage]		0.1mA
Maximum On-State Voltage Drop [@ Rated Current]		1.5V

General Information	
Dielectric strength Input/Output (50/60Hz)	$\geq 2500V_{rms}$
Ambient Operating Temperature Range	$-30^{\circ}C \sim +80^{\circ}C$
Ambient Storage Temperature Range	$-30^{\circ}C \sim +100^{\circ}C$
Weight (typical)	20g

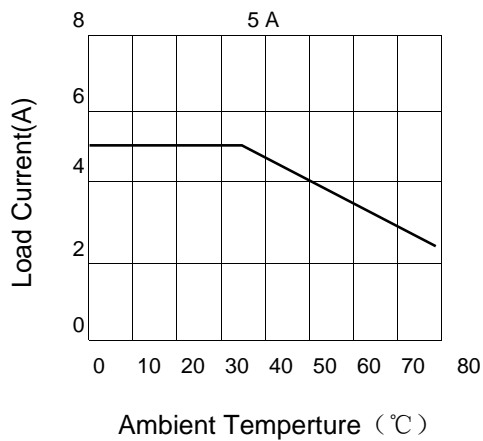
### Application

Suitable for control and isolation between control signal and high current as interface, widely used in different kinds of DC motor, DC power supply, electromechanical device etc.

### Installation



## Thermal Curve



## Important Notice

1. Soldering must be finished within 10 seconds at 250°C, and finished within 5 seconds at 350°C.
2. Terminal polarity to ensure proper control, or may damage the product.
3. The product is electrostatic sensitive devices, during the installation process, personnel and equipment must be electrostatic protection, otherwise may damage the product.

## Product Certification

