

Solid State Relay

KSMD Series Single Phase DC Output

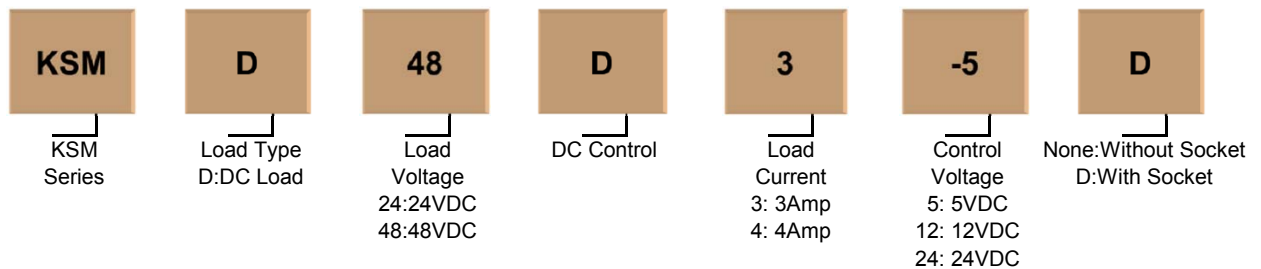


- TTL,COMS drive compatible
- Optoelectronic isolation
- Control voltage: 5VDC, 12VDC, 24VDC
- DIN rail mounted
- Standard footprint package
- Dielectric strength $\geq 2500\text{VACrms}$
- ROHS compliant

Product Description

KSMD series is DC output solid state relay with small size. The control voltage is 5VDC, 12VDC and 24VDC. Output current is 3A and 4A, output voltage is 24VDC and 48VDC. Suitable for high density PCB mounted or PLC control applications.

Product Selection



Description	3A	4A
5	KSMD24D3-5	KSMD24D4-5
	KSMD24D3-5D	KSMD24D4-5D
	KSMD48D3-5	KSMD48D4-5
	KSMD48D3-5D	KSMD48D4-5D
12	KSMD24D3-12	KSMD24D4-12
	KSMD24D3-12D	KSMD24D4-12D
	KSMD48D3-12	KSMD48D4-12
	KSMD48D3-12D	KSMD48D4-12D
24	KSMD24D3-24	KSMD24D4-24
	KSMD24D3-24D	KSMD24D4-24D
	KSMD48D3-24	KSMD48D4-24
	KSMD48D3-24D	KSMD48D4-24D

Technical Specification

Input Circuit

Control Voltage Range	5	4-6VDC
	12	10-15VDC
	24	20-30VDC
Minimum Turn-On Voltage	5	4VDC
	12	10VDC
	24	20VDC

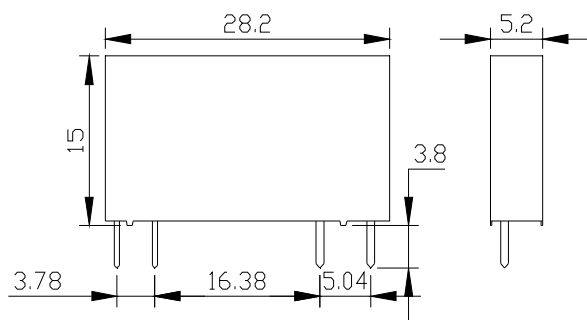
Minimum Turn-Off Voltage	5	1VDC
	12	3VDC
	24	10VDC
Maximum Input Current		25mA
Output Circuit		
Load Voltage Range	24	0-28VDC
	48	0-58VDC
Maximum Transient Voltage	24	33VDC
	48	58VDC
Load Current Range	3A	0.001 - 3A
	4A	0.001 - 4A
Maximum Turn-On Time		50 μ s
Maximum Turn-Off Time		300 μ s
Maximum Surge Current [@10 ms]	3A	30A
	4A	48A
Maximum Off-State Leakage Current [@ Rated Voltage]		100 μ A
Maximum On-State Voltage Drop [@ Rated Current]	24	0.2VDC
	48	0.35VDC
General Information		
Dielectric Strength, Input/Output(50/60Hz)		\geq 2500Vrms
Insulation Resistance		1000M Ω (@500VDC)
Vibration		10-55Hz, 1.5mm double-amplitude
Shock		Acceleration 980m/s ² pulse duration 6ms
Ambient Operating Temperature Range		-30 $^{\circ}$ C ~ +80 $^{\circ}$ C
Ambient Storage Temperature Range		-30 $^{\circ}$ C ~ +100 $^{\circ}$ C
Weight (typical)	KSMD....-	4g
	KSMD....-D	30g

Application

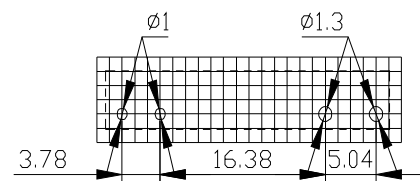
Suitable for high density PCB mounted or PLC control applications.

Installation

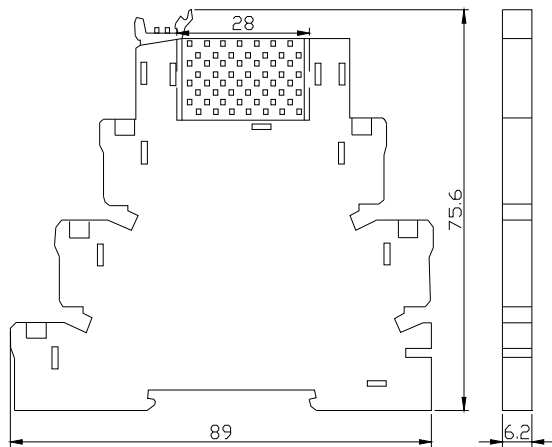
Dimension Figure



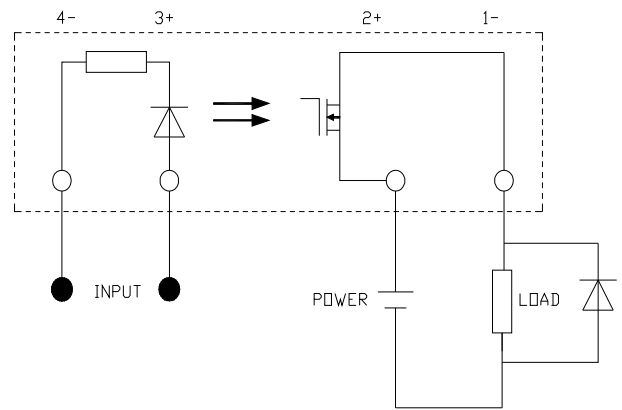
PCB Mounted Figure



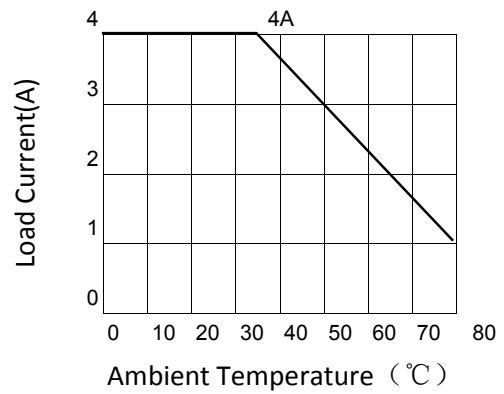
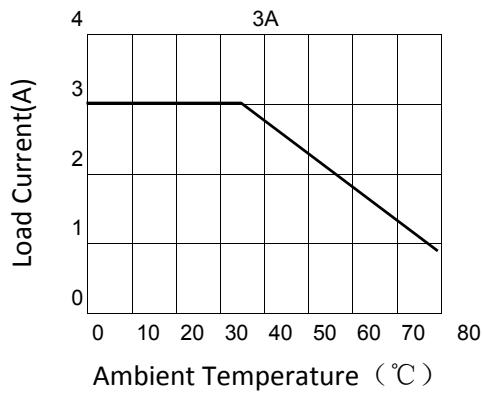
Socket Installation Drawing(Type:KPD-1A)



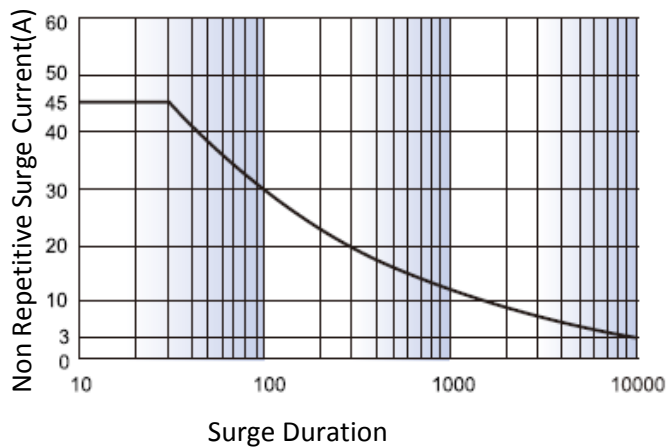
Wiring Method



Thermal Curve



Non Repetitive Surge Current And Surge Cycle Curve



Product Certification



@Kudom Electronics Technology, All R

Kudom Electronics Technology
www.kudom-elec.com